



**STRONG PARTNERS.
TOUGH TRUCKS.™**



TECHNICAL GUIDE J1.6-2.0UTT SERIES



WWW.HYSTER.COM

> J1.6UTT / J1.8UTT / J2.0UTT

			HYSTER		HYSTER		HYSTER		
			J1.6UTT		J1.8UTT		J2.0UTT		
GENERAL	1-1	Manufacturer			Electric (battery)		Electric (battery)		
	1-2	Model designation			Electric (battery)		Electric (battery)		
	1-3	Drive			Seated		Seated		
	1-4	Operator type			Seated		Seated		
	1-5	Rated capacity/rated load	Q ₁	t	1600		1800		
	1-6	Load centre distance	c	mm	500		500		
	1-8	Load distance, centre of drive axle to fork	x	mm	371		371		
	1-9	Wheelbase	y	mm	1400		1400		
	1-9	Wheelbase	y	mm	1400		1515		
WEIGHT	2-1	Service weight		kg	3120		3190		
	2-2	Axle loading with load, front / rear		kg	4010	660	4420	510	
	2-3	Axle loading without load, front / rear		kg	1480	1640	1500	1690	
WHEELS	3-1	Tyre type			Superelastic		Superelastic		
	3-2	Tyre size, front			18x7-8		18x7-8		
	3-3	Tyre size, rear			15x4-1	2-8	15x4-1	2-8	
	3-5	Wheels, number front / rear (x = driven wheels)			2x	2	2x	2	
	3-6	Tread, front	b ₁₀	mm	933		933		
	3-7	Tread, rear	b ₁₁	mm	186		186		
	3-7	Tread, rear	b ₁₁	mm	186		186		
DIMENSIONS	4-1	Tilt of mast / fork carriage forward / backward		(°)	6.5	6.5	6.5	6.5	
	4-2	Height, mast lowered	h ₁	mm	1992		1992		
	4-3	Free lift (1)	h ₂	mm	35		35		
	4-4	Lift Height (1)	h ₃	mm	3036		3036		
	4-5	Height, mast extended (3)	h ₄	mm	4030		4030		
	4-7	Height of overhead guard (cabin) (4)	h ₆	mm	2002		2002		
	4-8	Seat height relating to SIP (2)	h ₇	mm	965		965		
	4-12	Coupling height	h ₁₀	mm	445		445		
	4-19	Overall length	l ₁	mm	2894		2894		
	4-20	Length to face of forks	l ₂	mm	1974		1974		
	4-21	Overall width	b ₁ /b ₂	mm	1084		1084		
	4-22	Fork dimensions DIN ISO 2331	s/e/l	mm	35 / 100 / 920		35 / 100 / 920		
	4-23	Fork carriage ISO 2328, class/type A, B		mm	2A		2A		
	4-24	Fork carriage width (3)	b ₃	mm	951		951		
	4-25	Distance between fork-arms	b ₅	mm	200	890	200	890	
	4-31	Ground clearance, laden, below mast	m ₁	mm	89		89		
	4-32	Ground clearance, centre of wheelbase	m ₂	mm	96		96		
	4-34-1	Aisle width for pallets 1000 × 1200 crossways	Ast	mm	3290		3290		
	4-34-4	Aisle width for pallets 800 × 1200 lengthways	Ast	mm	3415		3415		
	4-35	Turning radius	W _a	mm	1601		1601		
	4-36	Internal turning radius	b ₁₃	mm	0		0		
	PERFORMANCE	5-1	Travel speed with / without load	km	h	14.0	16.0	14.0	16.0
		5-2	Lifting speed with / without load	mm	s	352	500	349	500
5-3		Lowering speed with / without load	mm	s	411	485	425	485	
5-6		Max. drawbar pull with / without load, 3 minute rating	N		15,500	10,000	15,000	10,500	
5-8		Max. gradeability with/without load, 5 minute rating	%		20	30	20	30	
5-9		Acceleration time, with / without load	s		4.46	4.35	4.46	4.35	
5-10		Service brake			Hydraulic		Hydraulic		
6-1		Drive motor rating S2 60 min	kW		2 x 5		2 x 5		
6-2		Lift motor rating at S3 15% rating	kW		11		11		
6-3		Battery according to DIN 43531/35/36 A, B, C, no	m	s	no		no		
MOTOR	6-4	Battery voltage/nominal capacity K5	V	Ah	48	460	48	460	
	6-5	Battery weight	kg		945		945		
	6-6	Power consumption in accordance with VDI cycle	kWh	h	5.19		5.30		
	10-1	Type of drive unit			ACE2 2uC / ZAPI		ACE2 2uC / ZAPI		
	10-2	Operating pressure for attachments (5)	bar		145		175		
	10-3	Oil volume for attachments	l	min	38		38		
OTHER	10-4	Sound pressure level at the driver's seat LPAZ (6)	dB	A	64.8		64.8		
	10-5	Towing coupling, type DIN			Yes / Pin		Yes / Pin		

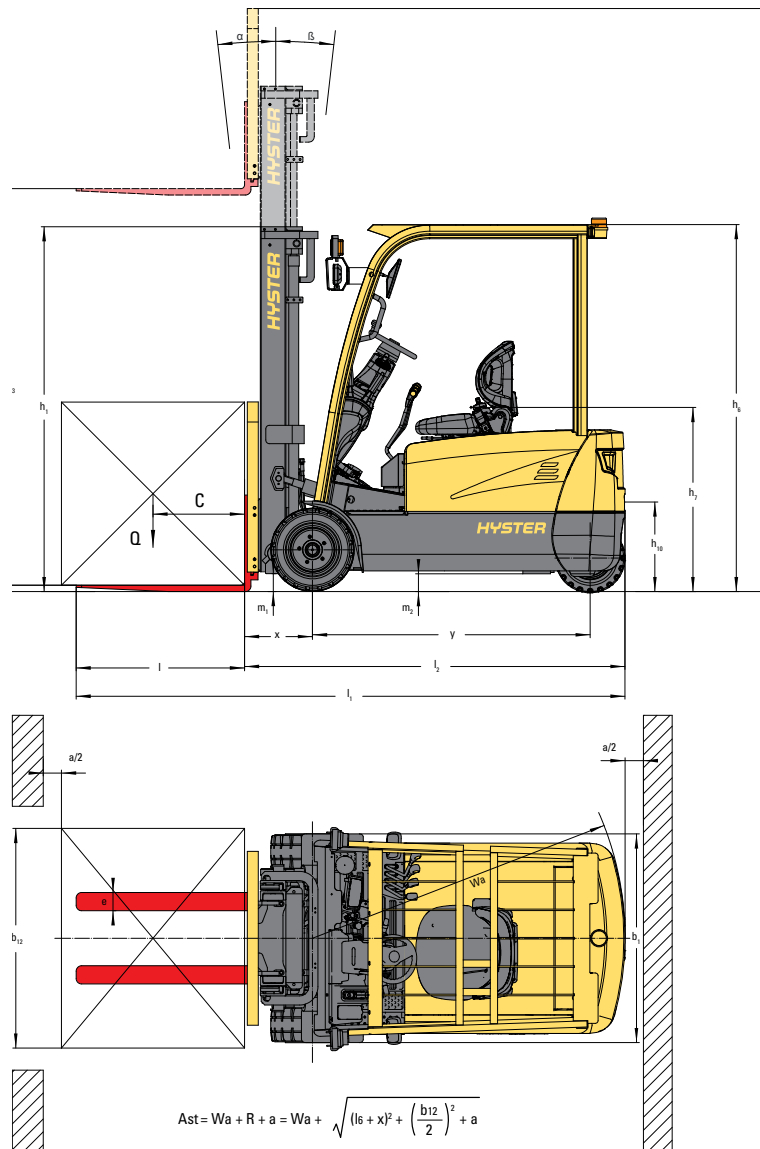
MODEL TABLE NOTES:

Specifications are affected by the condition of the vehicle and how it is equipped, as well as the nature and condition of the operating area. Inform your dealer of the nature and condition of the intended operating area when purchasing your Hyster® truck.

- (1) Bottom of forks
- (2) Full suspension specified.
- (3) Without load backrest
- (4) h₆ subject to +/- 5 mm tolerance.
- (5) Variable
- (6) LPAZ, measured according to the test cycles and based on the weighting values contained in EN12053

All values are nominal values and they are subject to tolerances. For further information, please contact the manufacturer.

Specification data is based on VDI 2198.



MAST AND CAPACITY INFORMATION <

J1.6-2.0UTT RATED CAPACITY KG@ 500 MM LOAD CENTRE

	Maximum fork height h3 + s (mm)	Mast Tilt		Lowered height h1 (mm)	Extended height h4 (mm)		Free Lift		Load Capacity		
		Forward tilt (deg)	Back tilt (deg)		Without Load Backrest	With Load Backrest	Without Load Backrest	With Load Backrest	1.6t	1.8t	2.0t
2-STAGE LIMITED FREE LIFT	3000	6.5	6.5	1975	3490	4010	0	0	1600	1800	2000
	3300	6.5	6.5	2125	3790	4310	0	0	1600	1800	2000
	3500	6.5	6.5	2225	3990	4510	0	0	1600	1800	2000
	3700	6.5	6.5	2325	4190	4710	0	0	1600	1800	2000
	4000	3.5	5	2525	4490	5010	0	0	1600	1800	2000
	4500	3.5	5	2775	4990	5510	0	0	1400	1600	1800
	5000	3.5	5	3025	5490	6010	0	0	1250	1450	1500
	5500	3.5	5	3325	5990	6510	0	0	1150	1200	1300
2-STAGE FULL FREE LIFT	6000	3.5	5	3575	6490	7010	0	0	1050	1100	1200
	3300	6.5	6.5	2125	3790	4310	1660	1140	1600	1800	2000
3-STAGE FULL FREE LIFT	3700	6.5	6.5	2325	4190	4710	1860	1340	1600	1800	2000
	4350	3.5	5	1975	4840	5360	1510	990	1500	1700	1900
	4800	3.5	5	2125	5290	5810	1660	1140	1300	1500	1650
	5000	3.5	5	2225	5490	6010	1760	1240	1250	1450	1500
	5500	3.5	5	2390	5990	6510	1925	1405	1150	1200	1300
	6000	3.5	5	2575	6490	7010	2110	1590	1050	1100	1200

STRONG PARTNERS. TOUGH TRUCKS.™

FOR DEMANDING OPERATIONS, EVERYWHERE.

Hyster® supplies a complete range of warehouse equipment, IC and electric counterbalanced trucks, container handlers and reach stackers. Hyster® is committed to being much more than a lift truck supplier.

Our aim is to offer a complete partnership capable of responding to the full spectrum of material handling issues: whether you need professional consultancy on your fleet management, fully qualified service support, or reliable parts supply, you can depend on Hyster®.

Our network of highly trained dealers provides expert, responsive local support. They can offer cost-effective finance packages and introduce effectively managed maintenance programmes to ensure that you get the best possible value. Our business is dealing with your material handling needs so you can focus on the success of your business today and in the future.



HYSTER EUROPE

Centennial House, Frimley Business Park, Frimley, Surrey, GU16 7SG, England.

Tel: +44 (0) 1276 538500



www.hyster.eu



infoeurope@hyster.com



[/HysterEurope](https://www.facebook.com/HysterEurope)



[@HysterEurope](https://twitter.com/HysterEurope)




[/HysterEurope](https://www.youtube.com/HysterEurope)



HYSTER-YALE UK LIMITED trading as Hyster Europe. Registered Address: Centennial House, Building 4.5, Frimley Business Park, Frimley, Surrey GU16 7SG, United Kingdom.

Registered in England and Wales. Company Registration Number: 02636775.

©2020 HYSTER-YALE UK LIMITED, all rights reserved. HYSTER,  and STRONG PARTNERS. TOUGH TRUCKS. are trademarks of HYSTER-YALE Group, Inc.

Hyster products are subject to change without notice. Forklift trucks illustrated may feature optional equipment.